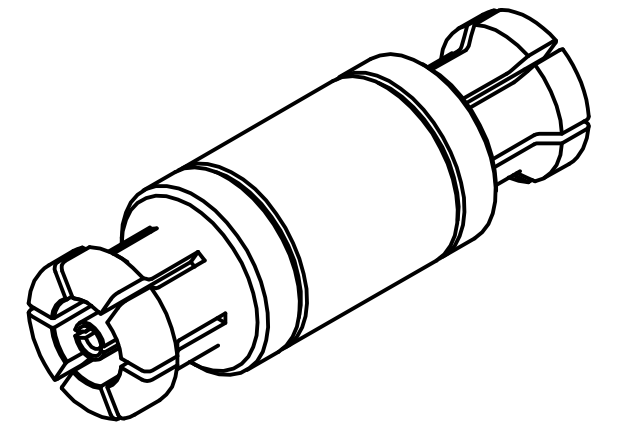
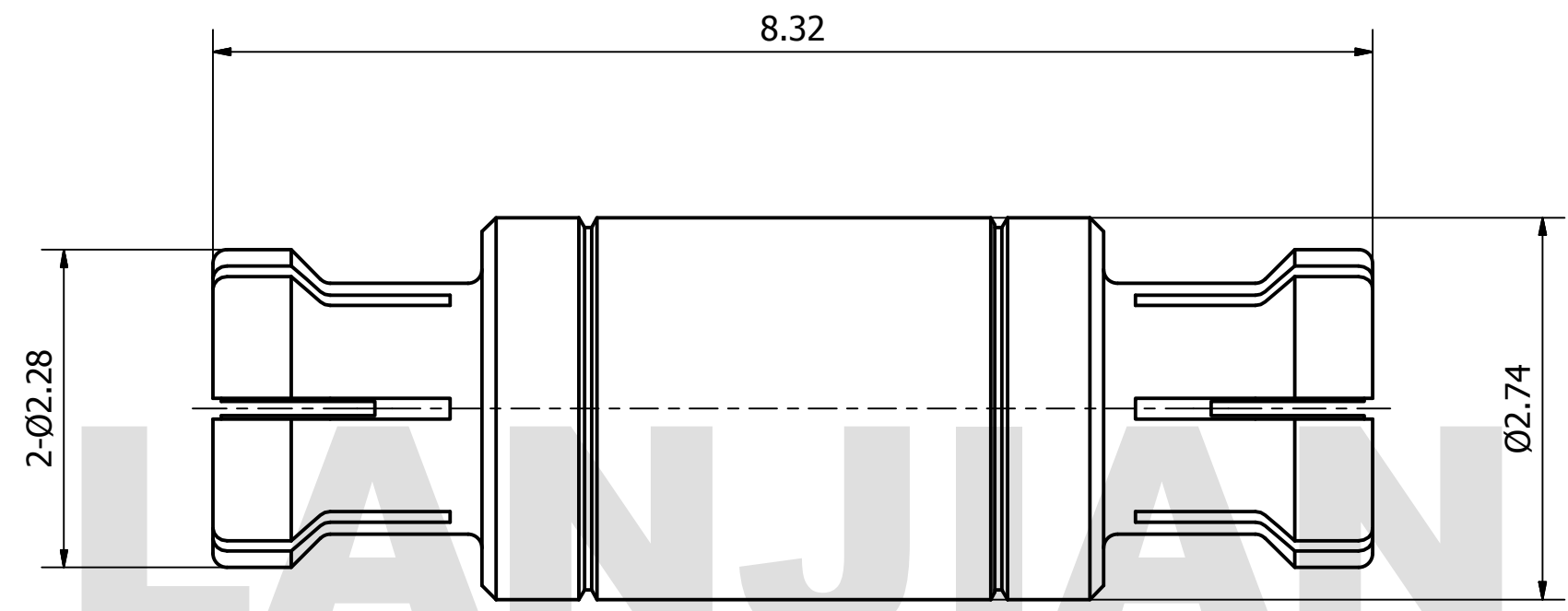


PRODUCT DATA SHEET



MATERIAL:
 BODY: BERYLLIUM COPPER PER ASTM B196.
 ALLOY NO. UNS C17300
 CONTACT: BERYLLIUM COPPER PER ASTM B196.
 ALLOY NO. UNS C17300
 INSULATOR: PTFE

THIS DOCUMENT CONTAINS CONFIDENTIAL AND PROPRIETARY INFORMATION THAT CANNOT BE REPRODUCED OR DIVULGED, IN WHOLE OR IN PART, WITHOUT WRITTEN AUTHORIZATION FROM "LANJIAN ELECTRONICS"

MATERIAL :			
UNLESS OTHERWISE SPECIFIED: DIMENSIONS IN MM			
TOLERANCES :			
X.X	± 0.10	ANGULAR : ± 30'	DEBURR AND BREAK SHARP EDGES
X.XX	± 0.05	FILLETS R/C : ± 0.10	
X.XXX	± 0.005	SURFACE FINISH : Ra 0.8	
	NAME	DATE	SIGNATURE
DRAWN	YaoJiang	12/10/2018	
CHK'D	HongZhongYan	12/10/2018	
APPV'D	HongZhongYan	12/10/2018	
MFG			
PROJECTION		SIZE	SCALE
		A3	20 : 1

LANJIAN ELECTRONICS
 38 Hengtong Road, Xinqu Dingmao
 Zhenjiang, 212009, Jiangsu, P. R. China

TITLE
**SMPM ADAPTOR
 FEMALE TO FEMALE**

DWG No. 3290-4003.001	REV. A
DO NOT SCALE THE DRAWING	
PAGE 1 / 1	